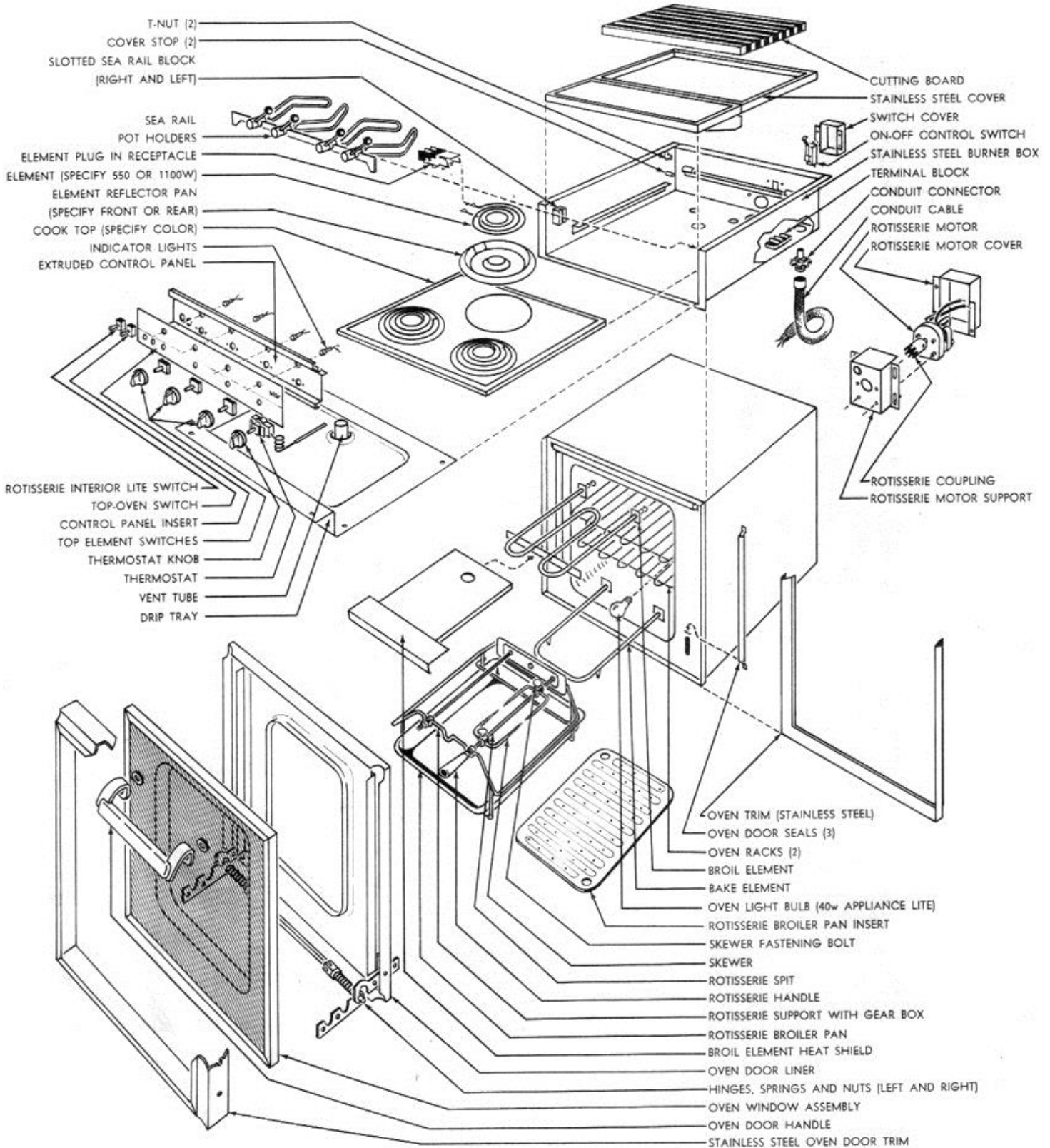


Princess MODEL 33

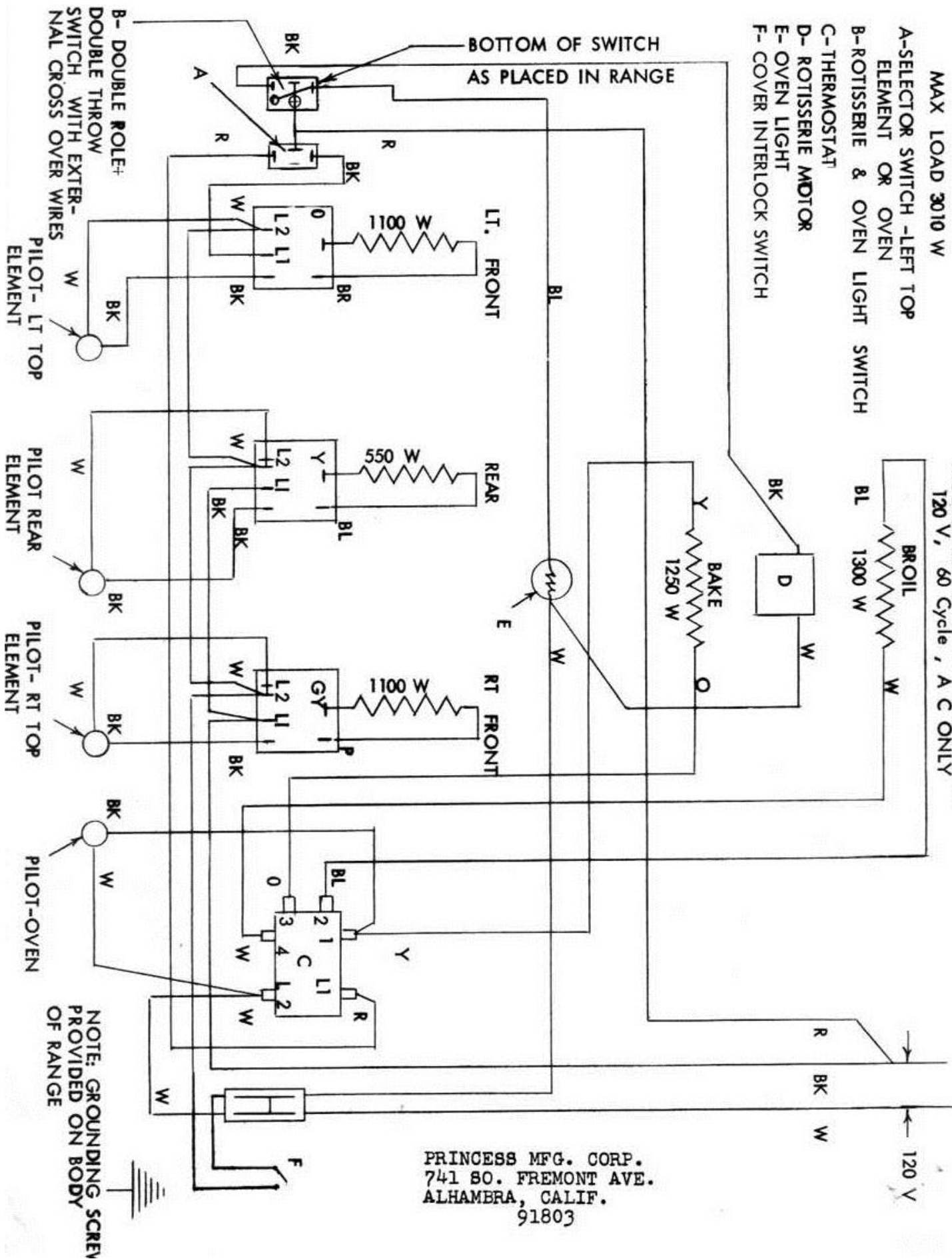
WHEN ORDERING PARTS GIVE COMPLETE MODEL NO. AND SERIAL NO. OF RANGE
 AS INDICATED ON NAMEPLATE



MAX LOAD 3010 W

MODEL #33 TYPE R B THERMOSTAT
120 V, 60 Cycle, A C ONLY

- A-SELECTOR SWITCH -LEFT TOP ELEMENT OR OVEN
- B-ROTISSERIE & OVEN LIGHT SWITCH
- C-THERMOSTAT
- D-ROTISSERIE MOTOR
- E-OVEN LIGHT
- F-COVER INTERLOCK SWITCH



PRINCESS MFG. CORP.
741 SO. FREMONT AVE.
ALHAMBRA, CALIF.
91803

NOTE: GROUNDING SCREW
PROVIDED ON BODY
OF RANGE

INSTALLATION INSTRUCTIONS FOR MODEL 33

1. Cut opening in cabinet as shown. (Clearance must be provided behind range for terminal box and rotisserie housing).
2. Fasten grounding wire with screw provided on rear of range.
3. Complete installation of wires.
4. Place range in opening and fasten to countertop, using number 8 chrome plated flat head screws in holes (A).

120 V, 60 Cycle, AC Only

