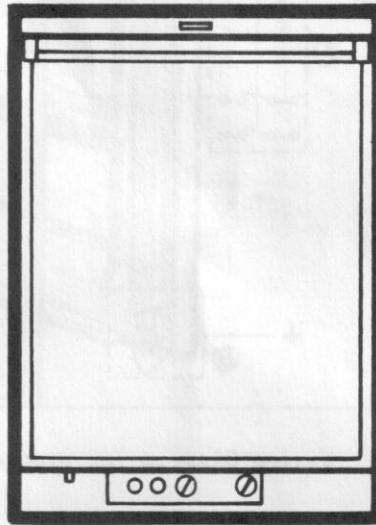




When ordering spare parts always state:  
 MODEL · QUANTITY · PART NUMBER · DESCRIPTION  
 For electric details also:  
 VOLTAGE · WATTAGE



Product No	Volts
926 69 01	120
926 69 02	12/120

REFRIGERATOR FOR LP-GAS  
 AND ELECTRIC OPERATION.  
**RM360**

# SPARE PARTS LIST

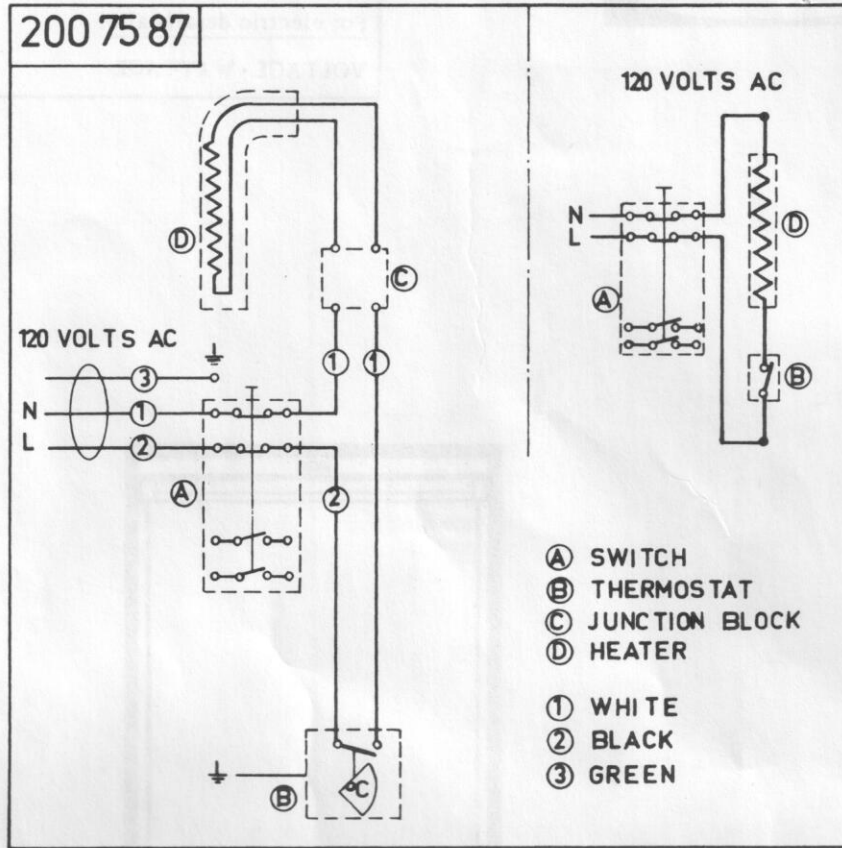
820 48 26-00

SS-791150

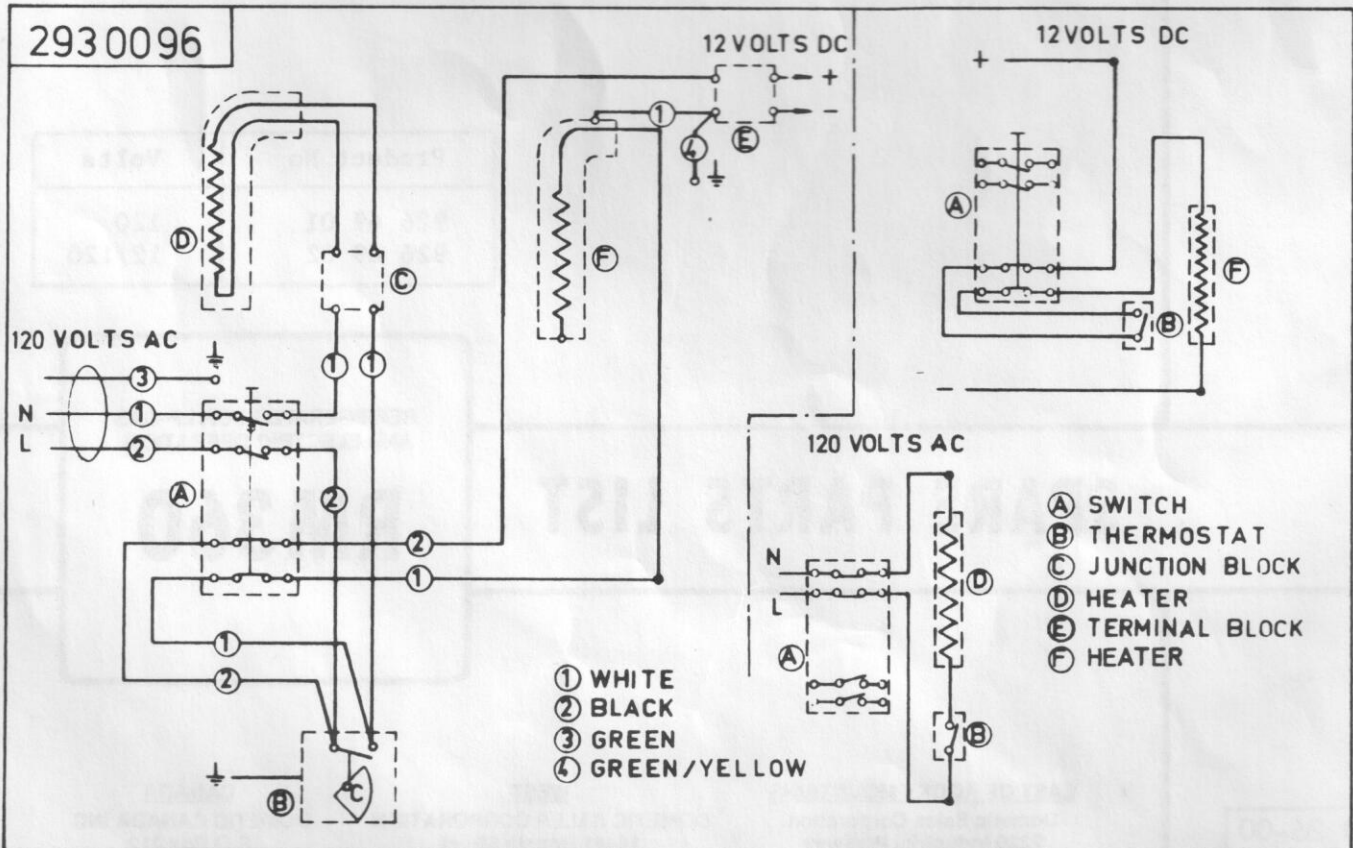
**EAST OF ROCKY MOUNTAINS**  
 Dometic Sales Corporation  
 2320 Industrial Parkway  
 P O Box 490  
 Elkhart, Indiana 46515

**WEST**  
 DOMETIC SALES CORPORATION  
 14441 Bonelli Street  
 City of Industry, Calif 91746

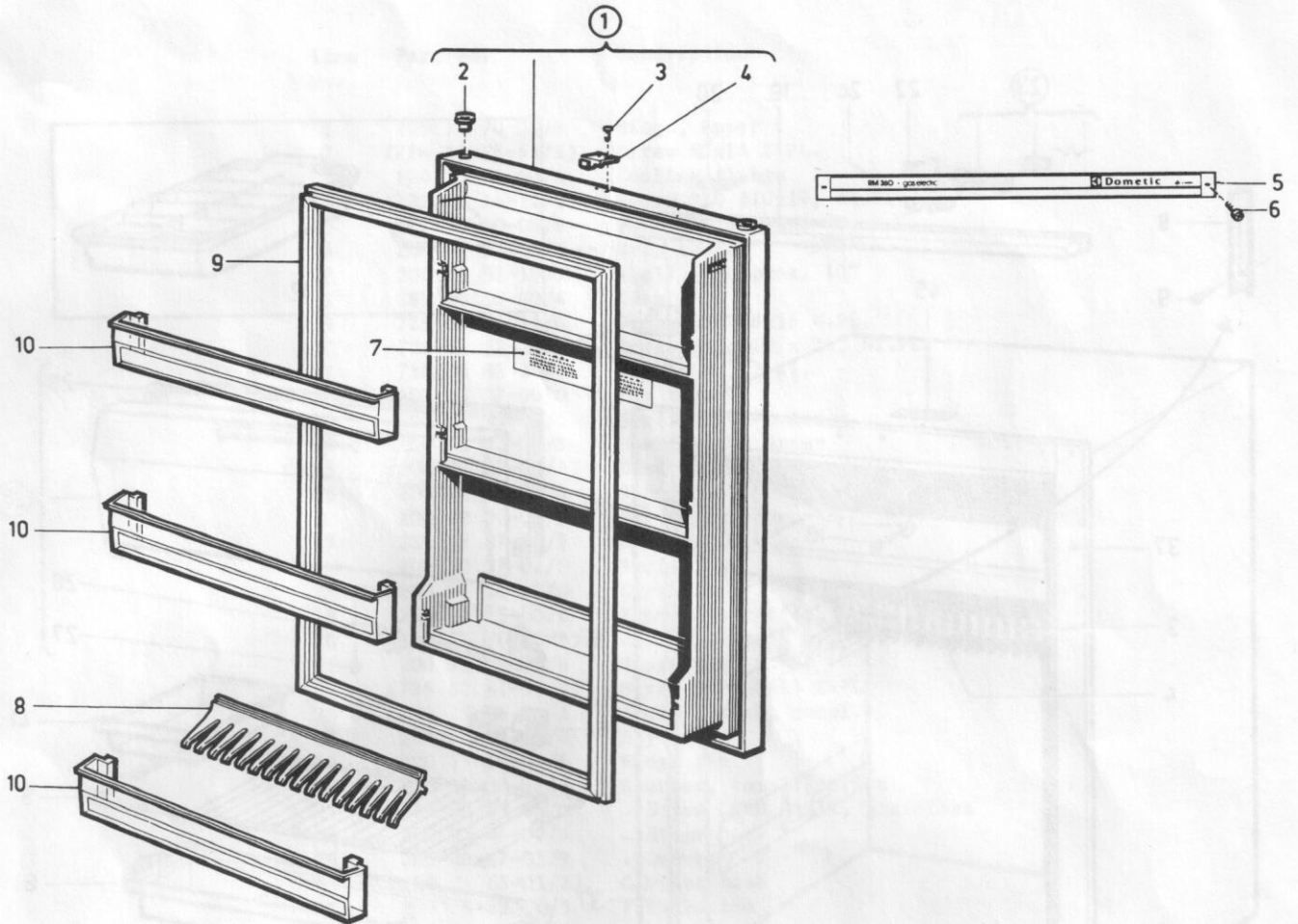
**CANADA**  
 DOMETIC CANADA INC  
 P O Box 212  
 Oakville, Ontario L6J 5A2



Wiring Diagram for product no. 926 69 01

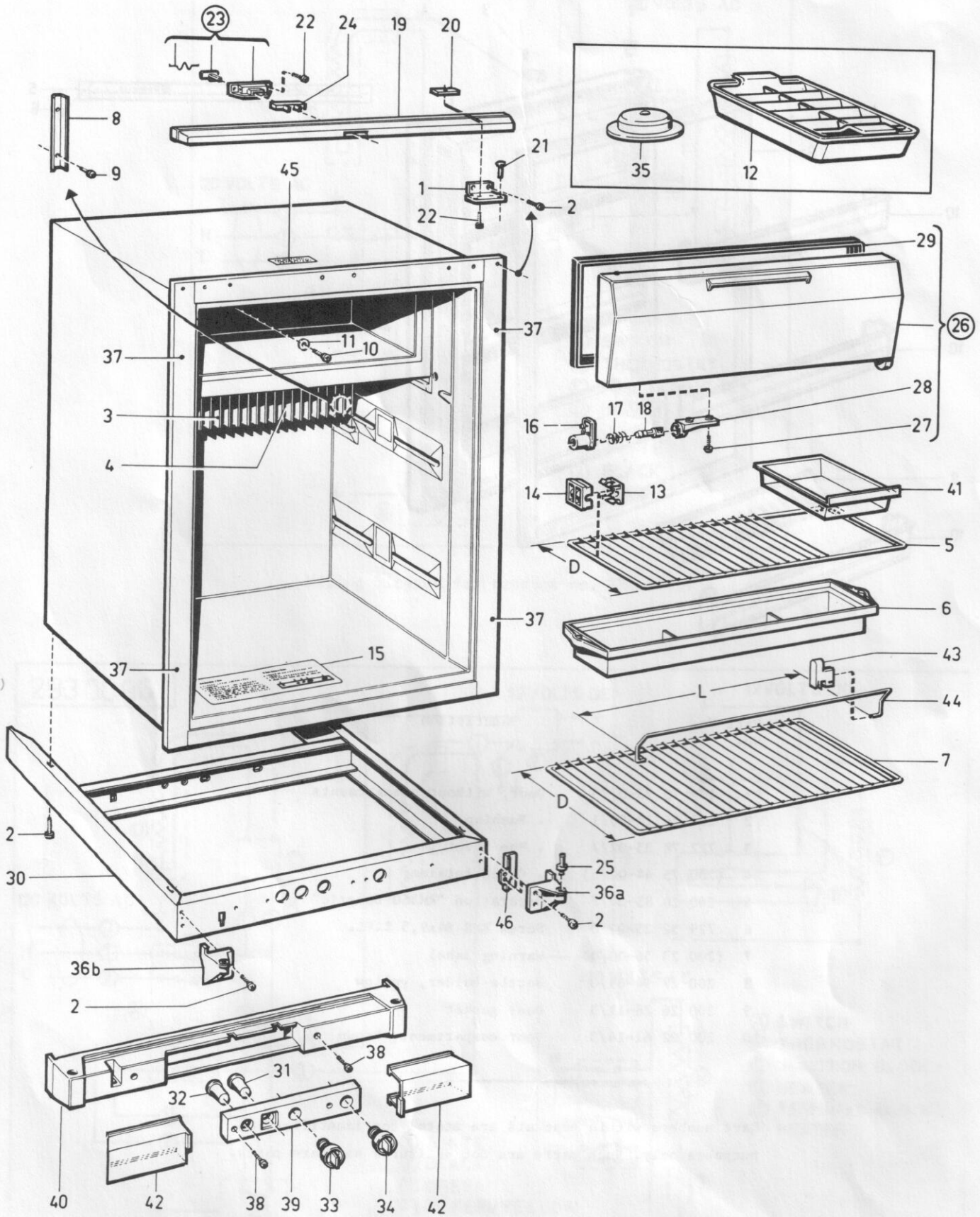


Wiring Diagram for product no. 926 69 02



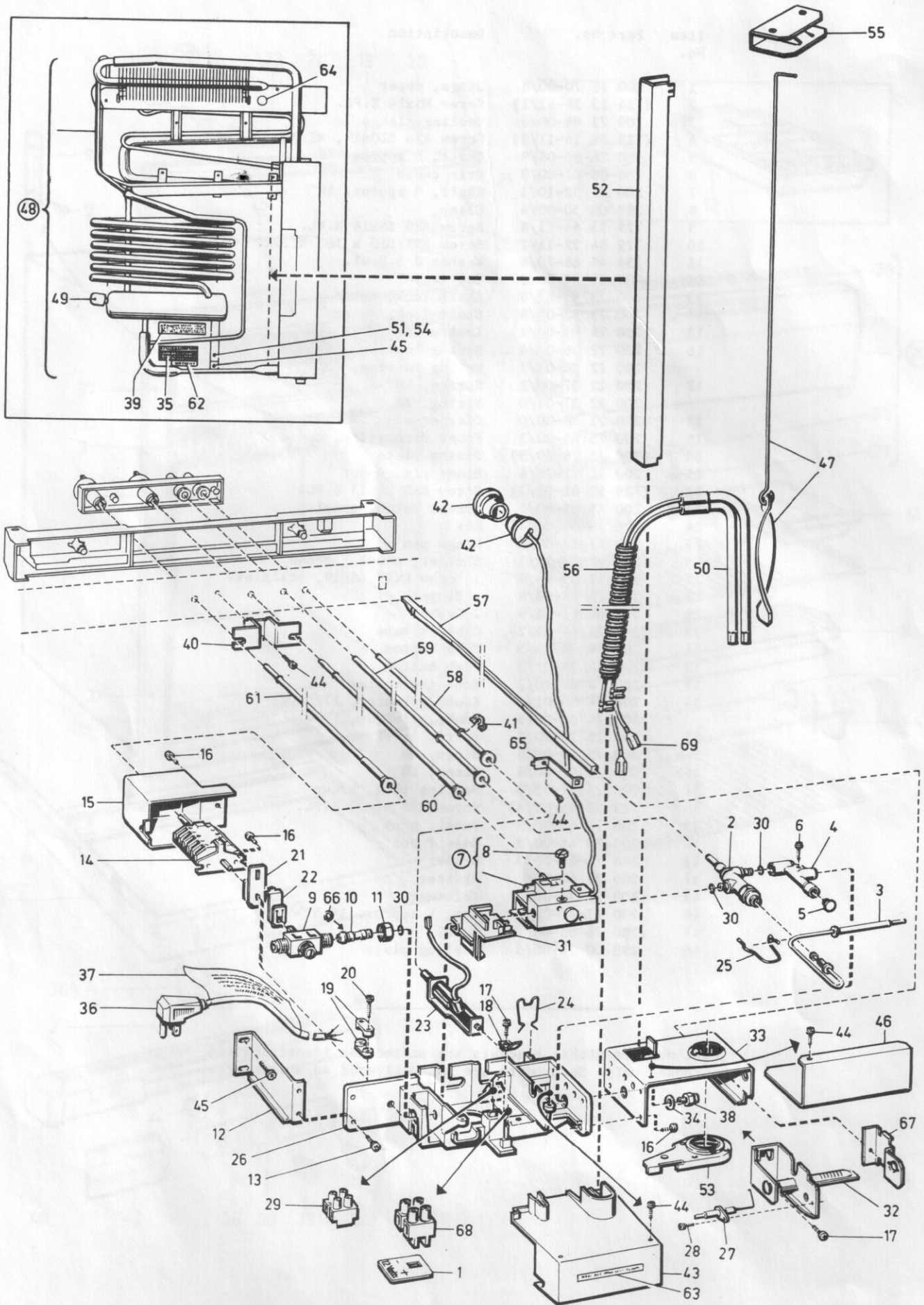
Part No. No.	Description
1	200 76 23-07/3 Door, without compartments
2	200 26 19-00/1 . Bushing
3	722 78 35-02/7 . Pop rivet
4	(200 75 44-00/6) . Catch retainer
5	200 26 85-07/7 Decoration "RM360 Dometic"
6	729 52 25-01/0 Screw RXS 84x9,5 Z.PL.
7	(200 23 56-00/0) Warning label
8	200 27 94-01/0 Bottle holder, yellow
9	200 26 26-11/3 Door gasket
10	200 22 61-14/3 Door compartment, brown

Part numbers within brackets are stated for identification purposes only. Such parts are not delivered as spare parts.



Item No.	Part No.	Description
1	200 72 70-00/8	Hinge, upper
2	(724 13 28-61/1)	Screw M5x14 Z.PL.
3	200 73 94-00/6	Cooling flange
4	(729 54 14-11/9)	Screw RXS B10x19, NI.PL.
5	200 26 50-08/9	Shelf, D approx. 7"
6	200 75 07-00/3	Drip chute
7	200 26 52-10/1	Shelf, D approx. 10"
8	289 00 50-00/4	Clamp
9	729 53 44-11/8	Screw RXS B8x16 N.PL.
10	729 54 22-11/2	Screw RXS B10 x 38, NI.PL.
11	734 48 88-20/6	Washer Ø 5.2 al.
12	200 23 37-00/0	Ice tray
13	200 73 93-01/6	Shelf lock, outer
14	200 73 92-01/8	Shelf lock, inner
15	(200 76 93-00/1)	Instruction plate
16	200 22 36-00/4	Spring housing, LH
	200 22 36-01/2	Spring housing, RH
17	200 22 37-00/2	Spring, LH
	200 22 37-01/0	Spring, RH
18	200 22 38-00/0	Carrier
19	200 75 45-00/3	Front decoration, upper X
20	(200 72 76-00/5)	Fixing plate
21	200 72 71-00/6	Hinge pin, upper
22	(729 52 81-01/3)	Screw RXS B6x13 Z.PL.
23	200 75 46-00/1	Travel catch, compl.
24	200 75 59-00/4	Key
25	200 73 13-00/6	Hinge pin
26	200 22 39-11/5	Shutter, compl., brown
27	729 52 85-65/9	. Screw LKXS B6x19, stainless
28	200 22 44-00/8	. Hinge
29	200 09 17-01/9	. Gasket
30	(200 74 65-01/2)	Cabinet base
31	200 74 79-00/5	Push button
32	200 74 79-01/3	Push button
33	200 74 80-10/2	Knob thermostat
34	200 74 80-01/1	Knob, selector, 12/120V
	200 74 80-02/9	Knob, selector, 120V
35	200 28 75-00/9	Spirit level
36a	200 75 00-00/8	Hinge, RH
36b	200 75 01-00/6	Hinge, LH
37	200 23 52-03/3	Masking plug, brown
38	(729 52 85-01/4)	Screw RXS B6x19 Z.PL.
39	200 74 63-00/9	Panel, grey
40	200 74 61-00/3	Base front
41	200 76 25-00/3	Drawer
42	200 74 64-00/7	Shutter
43	200 73 36-00/7	Retainer
44	200 73 37-02/1	Bar, L approx. 14,5"
45	(200 76 88-00/1)	Label
46	293 00 74-00/6	Sealing plate

Part numbers within brackets are stated for identification purposes only. Such parts are not delivered as spare parts.



Item No.	Part No.	Description
1	(200 74 52-00/2	Plate "12 Volts"
2	200 74 22-00/5	Thermo electric safety valve
3	200 74 17-00/5	Thermo couple element
4	200 75 18-00/0	Coupling
5	16 93 80-00/3	Plug screw
6	(729 52 83-01/9)	Screw RXS B6x16 Z.PL.
7	200 71 99-03/3	Thermostat
8	17 28 19-04/7	. By-pass screw S11
9	200 74 30-00/8	Cut-off valve
10	200 74 29-00/0	Nipple
11	17 28 09-00/6	Nut
12	(200 74 18-00/3)	Retainer
13	(729 53 42-01/3)	Screw RXS B8x13 Z.PL.
14	200 74 32-00/4	Switch
15	200 74 39-00/9	Cover
16	17 07 30-01/4	Screw
17	724 12 87-61/9	Screw RX 4x8 Z.PL.
18	(760 28 96-70/1)	Tab connector
19	56 10 14-01/0	Anti-strain clip
20	(729 52 85-01/4)	Screw RXS B6x19 Z.PL.
21	200 75 77-00/6	Spring
22	200 75 78-00/4	Spring
23	200 74 23-00/3	Lighter
24	200 74 24-00/1	Retainer
25	200 74 25-00/8	Spring
26	(200 74 10-00/0)	Bracket
27	200 74 16-00/7	Electrod
28	729 52 21-11/8	Screw RXS B4x6 NI.PL.
29	(762 72 02-56/2)	Terminal
30	14 07 48-00/5	Sealing ring
31	293 00 66-02/8	Snap catch
32	200 75 03-01/0	Burner
33	(200 75 02-01/2)	Burner housing
34	200 74 57-00/1	Washer
35	(200 75 71-00/9)	Plate "Installation clearances"
36	(200 26 99-01/1)	Flexible cord
37	(200 25 76-00/3)	Electrical grounding instructions
38	200 74 19-10/0	Burner jet No. 29 for butane
	200 74 19-13/4	Burner jet No. 32 for propane
39	(200 25 77-00/1)	Testing instruction
40	(200 75 67-00/7)	Shaft-stop
41	200 51 12-00/4	Clip
42	200 23 01-00/6	Plug
43	200 74 40-00/7	Cover
44	(729 52 79-01/7)	Screw RXS B6x9,5 Z.PL.
45	(724 12 89-01/1)	Screw M4 x 10 Z.PL.
46	(200 75 05-00/7)	Cover
47	200 75 90-00/9	Flue baffle
48	928 33 49-00/0	Cooling unit 334A
49	17 32 28-00/8	. Filling cap
50	17 37 34-01/3	Heater, 120V, 150W
	17 37 35-01/0	Heater, 12V, 125W
51	(724 13 28-61/1)	Screw M5 x 14 Z.PL.
52	(200 75 83-00/3)	Channel
53	200 74 58-02/5	Clamping plate
54	(735 21 46-01/8)	Locking washer
55	200 75 98-00/2	Flue top
56	(200 70 69-04/6)	Protection hose
57	200 74 78-00/7	Light conductor
58	200 74 68-02/4	Push rod
59	200 74 68-03/2	Push rod
60	200 74 71-01/0	Shaft, thermostat
61	200 74 75-01/1	Shaft, switch
62	(200 75 74-00/3)	Plate "Install only with kit No. 2A"
63	(200 76 89-00/9)	Label för 12/120V
64	(200 11 92-00/0)	Plug
65	200 76 48-00/5	Retainer
66	735 31 13-23/1	Retaining ring
67	200 76 51-00/9	Burner retainer
68	(200 26 33-01/0)	Terminal block
69	(200 74 53-00/0)	Lead for 12/120V

Part numbers within brackets are stated for identification purposes only. Such parts are not delivered as spare parts.